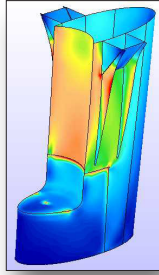


OUR CUSTOMERS & PROJECTS

These are some of our satisfied customers and completed projects:

LMS Ship Management

- Rudder Horn
 - Provided design and stress analysis
- Provided electronic deck plans and profiles



Bulldog Marine

- Catamaran
 - Designed 70 feet passenger catamaran



Catamaran designed in SolidWorks

Northrop Grumman Ship Systems

- FRC Composite Joints
- QAWT Door
 - Optimized design by reducing weight by 30% and continued analysis of material systems. Approved by Navy for fleet installation.

Federal Equipment Co.

- Weapons Elevator
- Swing Stator
- Caliper

Hiller Systems

- Fire Pump Foundation
 - Provided Frequency, DDAM, and Bolt Analysis

2150 Michigan Avenue
Brookley Complex
Mobile, Alabama 36615
Phone: 251-650-0601
Fax: 251-650-0602
www.StarAviation.com/marine



ENGINEERING & MANUFACTURING SERVICES

www.StarAviation.com/marine

ENGINEERING SERVICES

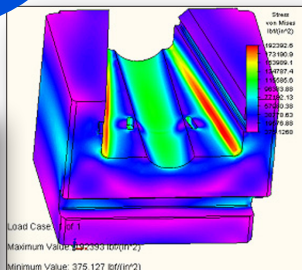
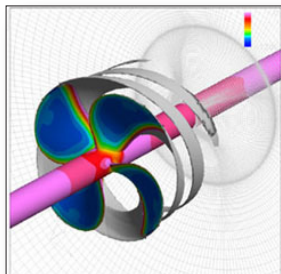
Star Marine Services was formed in 2008 to provide high quality and comprehensive engineering services for commercial, private, and military industries.

We are located in Mobile, Alabama, and are a division of Star Aviation, an innovative aircraft engineering and manufacturing company that has been in business over 10 years.

Our marine engineering services include:

- Linear Static Analysis
- Linear Dynamic Analysis
- Non-Linear Analysis
- Heat Transfer
- Fluids
- Event Simulation
- Computer-Aided Design (CAD)
- Composite and Metallic Structures
- Structural Components
- Equipment Foundation
- Shock Analysis (DDAM)

**WE'RE
ISO 9001:2000 AND
AS9100 CERTIFIED!**

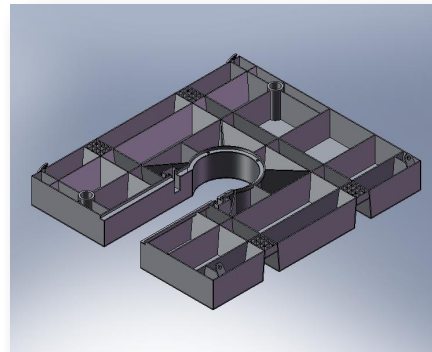


SOFTWARE CAPABILITIES

The Star Marine Services engineers and designers utilize the latest design and stress analysis software available.

- CATIA V4 and V5
- Alibre
- Algor
- AMPS
- SolidWorks
- AutoCAD

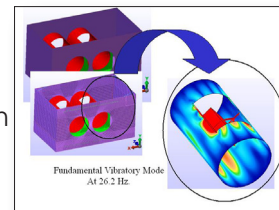
We also offer file conversion services at economical prices, which costs much less than purchasing specialized software.



Casing deck designed in SolidWorks

Our marine engineering team has the capability and software to handle a variety of customized projects.

Star Marine Services can take your project from concept to design and completion, fast and efficiently.



MANUFACTURING SERVICES

Star Marine Services also provides comprehensive and superior quality manufacturing services.

Star Marine Manufacturing services include:

- Water Jet cutting
- CNC machining
- Testing and validation
- Assemblies
- Piping and welding
- Complete metal fabrication



We have Water Jet cutting and CNC machining!

Call us today for a quote.

WATER JET FACTS

Our water jet cuts materials essential to the shipbuilding industry such as:

- Composites
- Fiberglass
- Stainless and hardened steel
- Titanium
- Aluminum

Materials from 1/16"-8" are cut with unmatched precision and accuracy saving you time and money by eliminating the need for secondary machining.